

Epson Inkjet Head S3200

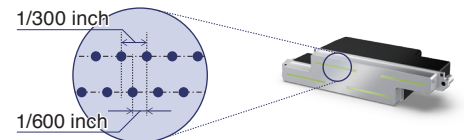


PRECISIONCORE

01 PrecisionCore Technology

All MEMS manufacturing and thin film piezo element can realize high precision and high density (600npi/2 rows of nozzles). Contributes to miniaturization, high speed, high quality, and high image quality.

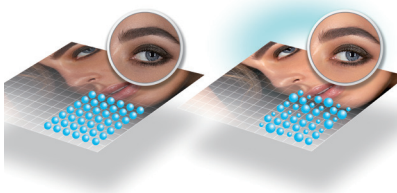
Precision made of Epson unique MEMS nozzles and an ink flow path ensure the perfectly round ink droplets are placed accurately and consistently.



High density Printhead

02 Support for grey-scale

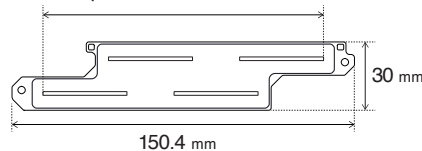
Epson's unique Variable Sized Droplet Technology (VSDT) delivers smooth gradation by freely control to eject the droplet volume.



03 High Productivity

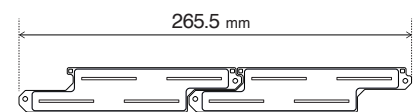
The wide printing width of 120.2mm (4.73 inches) is excellent for high production. Minimum-pass printing is possible because there is very little variation between nozzles.

Effective print width: 120.2 mm (4.73 inches)



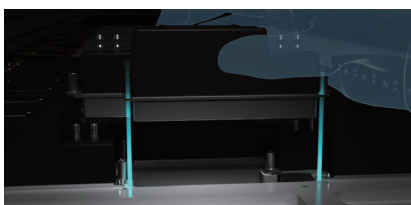
04 Scalability

Highly scalable S-shape design can realize space-saving for increasing productivity and multi-colours. Contributes to miniaturize the printer.



05 Maintenance

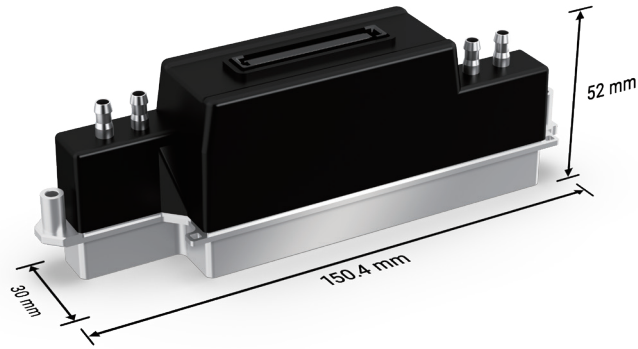
A high-precision positioning hole allow the user to replace the head quickly and efficiently without further adjustments.



06 High durability

PrecisionCore print head has proven high durability and extended service life by Epson's industrial printers.

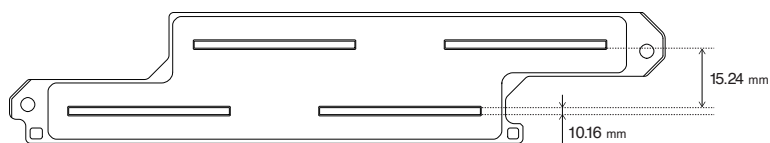




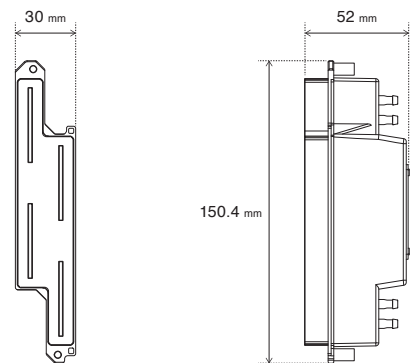
Product Specifications

Product name	S3200-U1	S3200-U3	S3200-A1
Ink type	UV/ Eco Solvent		Aqueous
Type	PrecisionCore MicroTFP printhead		
Width × Depth × Height	150.4 × 30 × 52 mm		
Weight	235 g		
Number of nozzle	3200 (Net: 2840)		
Nozzle pitch / nozzle row	1/300 inch		
Nozzle rows	2 rows		
Nozzle Resolution	300 npi/row 600 npi/2 rows		
Max. number of color inks	2 colours		
Effective print width	120.2 mm (4.73 inches)		
Jetting frequency	48 kHz (Single)		
	24 kHz (Multi)		
Droplet volumes	3.2, 5, 10 pl	4.8, 9, 15 pl	3.3, 7, 13 pl
Viscosity range	8-11 mPa·s	8-9 mPa·s	3-4 mPa·s
Positioning Mechanism	Reference hole		

Nozzle



External dimensions



Trademarks and registered trademarks are the property of Seiko Epson Corporation or their respective owners. Product information is subject to change without prior notice.

EPSON CHINA

F4 Tower 1, China Central Place, 81 Jianguo Road, Chaoyang District, Beijing, 100025, PRC
www.epson.com.cn 官方微信/微博: 爱普生中国
 服务导购热线: 400-810-9977 爱普生官方天猫旗舰店: epson.tmall.com

图片仅供参考, 外观以实物为准。本说明若有任何细节之更改, 恕不另行通知。
 爱普生(中国)有限公司在法律许可的范围内对以上内容有解释权。



爱普生官方网站



爱普生官方微信



爱普生官方微博